

IMPORTANT: PLEASE READ THESE INSTALLATION INSTRUCTIONS IN FULL PRIOR TO INSTALLING YOUR PERGO WOOD PARQUET FLOOR.

Introduction

Pergo Wood Parquet floors are made using carefully screened raw materials, engineered to provide a high quality, pre-finished timber floor that will most often last a lifetime. The patented Perfect Fold joining system provides for fast, easy and strong floating installations, achieved by clicking the boards into position without the need for messy adhesives.

Pergo Wood Parquet floors can be installed atop any level, dry, clean and sound surface, including well installed existing hard floor coverings. An expansion gap needs to be left, during the installation of the floor, to the entire floor perimeter, allowing the floor to expand or contract (as one sheet or raft) across the subfloor in line with seasonal variations in relative humidity.

A successful installation will rely heavily on strict adherence to these installation instructions.

It is important to note that the two most common causes of floor failure or client dissatisfaction are installations over uneven subfloors and installations that do not provide sufficient perimeter expansion. It is also important to note that the Perfect Fold joining system allows for most boards to be completely installed without the need for a hammer and tapping block, however, some boards may need to be tapped together when fitting boards into profiles or installing around door frames. Care should be taken to ensure that the specialist tapping block (inside the Pergo Installation Kit) is used when tapping boards into position and that tapping should not make contact with the plastic tongue at the end of the Perfect Fold profiled boards as this could cause uneven joins or significantly reduce overall joint strength.

Important note: Most Pergo Floors are installed as a floating floor. If you are direct sticking your Pergo Wood Parquet Floor, please consult your place of purchase or Floorscape Ltd for specific Direct Stick Instructions that will need to be followed.

1 Site Inspection

Timber floors should be installed in a “timber friendly environment”. This means that timber flooring is not designed to be exposed to extremes of humidity or temperature. It is important to note that floors exposed to such conditions may fail.

Sensible protection of the flooring from such extremes, particularly in unoccupied homes, must be afforded. Measures can include curtains, awning, blinds, window tinting, and early commissioning and/or regular use of air conditioning or humidity control devices.

Protection of the flooring from any radiant heat source should also be provided, e.g. around combustion heaters and other heat sources, as these generate extreme low humidity.

Pergo Wood Parquet flooring should not be installed until these measures are in place and should not be installed more than 2 weeks to the home being occupied. It is important to understand that any warranty, expressed or implied, may be voided if the floor is exposed to extreme conditions.

2 Subfloors

– Concrete Subfloors

Concrete subfloors should be dry, flat and clean prior to installation of Pergo Wood Parquet Flooring.

- **Dry** – Concrete subfloors should be dry prior to installing a Pergo Wood Parquet floor. Check the moisture content of your concrete subfloor to ensure the moisture content is below 75% R/H in accordance with the methods prescribed in Australian Standard AS1884. For knowingly or obviously “wet” concrete subfloors, first remedy the source of moisture ingress. Installation can then be undertaken using 200Um builder’s plastic, ensuring joints are overlapped 300mm and taped using a vapour-tight tape. Builders plastic should be installed vertically up walls and other vertical interfaces and can be trimmed after the flooring is completely installed.
- **Flat / level** – Concrete subfloor levels should not exceed 3mm variation over 1 metre in any direction, using a 1 metre straightedge. Uneven subfloors should be ground flat or levelled using a cementitious self-smoothing compound like Ardex K15 (or similar).
- **Clean** – Concrete floors should be free of old adhesives, building rubble etc. and generally clean prior to installation.

– Timber Subfloors

Timber subfloors (including chipboard, existing floorboards, plywood etc.) should be sound, dry, flat and clean

- **Sound** – Timber floors should be structurally sound, ensuring that loose boards / sheets are re-nailed or fixed to provide a sound, solid surface over which to install your new floor.
- **Dry** – Timber floors should be moisture tested to ensure they are dry. Generally, this means below 12% moisture content when tested using an electrical resistance moisture meter designed to test timber. It is prudent to also check that areas under timber subfloors are sufficiently ventilated.
- **Level/flat** – Timber subfloor levels should not exceed 3mm variation over 1 metre in any direction, using a 1 metre straightedge. Uneven subfloors should be sanded flat or, in some instances can be filled using a cementitious self-smoothing compound.
- **Clean** – timber subfloors should be clean and free of old adhesives, building rubble etc. prior to installation

Installation over existing floor coverings requires the substrate to be sound and in accordance with the requirements listed above for either subfloor type.

- **Sound** – if installation is to occur over existing floor coverings, the existing flooring should be well adhered to the subfloor and in sound and stable condition.

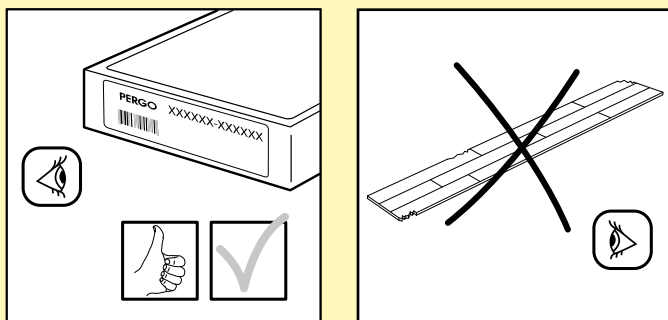
Packs should be checked for damage upon delivery to site. Damage to any packs should be reported to your place of purchase immediately.

3 Delivery to Site

Packs delivered to site should be stored flat and preferably off the ground, unless the installation will take place within 12 hours of the delivery.

They should be stored in a dry, well ventilated area inside the installation area, protected from weather and swings in temperature or humidity. Damaged flooring should not be installed.

Check that your underlay is the recommended underlay as results or performance cannot be guaranteed on underlays other than Combi-Lay or Quiet Step Combi-Lay. If you have any questions at all regarding your underlay, please consult your place of purchase.



4 Check your underlay, trims & profiles

It is also strongly recommended that you know how the trims and profiles to be installed with your flooring are installed as some profile bases are best installed prior to installing your floor. If you are in doubt, please contact your place of purchase prior to installation.

5 Installation over Heated Subfloors

Most Pergo Wood Parquet floors can be installed over heated subfloors but please note that there are specific guidelines for all installations over heated subfloors. Please contact your place of purchase for specific installation advice that will supplement these instructions when installing over heated subfloors. Note that some species, including Beech, Spotted Gum and Blackbutt timber flooring should not be installed atop heated concrete subfloors.

6 Selecting Installation/Board Direction

Pergo Wood Parquet floors will look and perform better when installed along the length of an installation area. Another consideration is the direction of natural light, with installations looking better parallel to the source of incoming light. Also remember that timber flooring is not colourfast and that UV light will change the colour of your timber floor as part of a natural process called oxidation.

7 Compartmentalisation

In large or multi-room installations, you might need to install trims throughout the installation area, usually at door thresholds. This is known as compartmentalisation. Check with your place of purchase prior to installation whether the area to be installed needs to be compartmentalised and for more information on the location of in-floor trims.

8 Final checks

You're nearly ready to start, just a few final checks:

- Check that the floor delivered is the floor that was ordered.
- Check each board prior to installation. Boards with visible faults should not be installed.
- Make sure the area to be installed is well lit.
- Remember that timber flooring cannot be installed in wet areas like laundries or bathrooms or outside.
- If you have any questions or are unsure about anything contact your place of purchase or Floorscape Ltd for advice prior to installation.

9 Installing your flooring

– What you'll need

- Pergo Wood Parquet floors are easy to install and require only a few tools. In addition to a few common DIY tools (tape measure, pencil, hammer, hand saw (or electric / drop saw) or jigsaw, carpenter's square and possible power drill and hand gloves) you will also need the Pergo installation kit containing a tapping block, pull bar and spacers. On top of that, safety glasses, a dust mask for cutting and all other personal protective equipment. Be sure you have all tools and safety gear available before starting the installation.

– Remember when cutting

- When cutting the Pergo Wood Parquet plank be sure you are not creating splinters or chipping. If using a handsaw or a drop saw, keep the decorative surface face up. If using a jigsaw keep decorative surface down.

– Damaged panels

- Every Pergo Wood Parquet plank is checked for any imperfections before being packed. Still, packs can be damaged during transportation or when the packs are opened. Do not install a plank with a damaged surface, edge or click joint. Carefully inspect each plank before installing. A pack can contain one plank that consists of multiple, shorter pieces. The amount of shorter begin/end pieces per pack can vary between two and four. These pieces can be used to start or finish rows but should also be installed randomly throughout the floor to add to the authenticity of your floor. Cumulative length of all shorter pieces will always be equal to the length of one standard plank. Be aware of the fact wood is not a homogeneous material. There will be differences from plank to plank as there are differences from tree to tree. This aspect provides you with the warm and natural feeling a wood floor has to offer.

– Undercut your door frames

- For a nice finish where the flooring meets a threshold we recommend undercutting the architrave and door jambs. This is best done prior to commencement of the installation. Use a piece of flooring and underlay as a guide, and with a flexible hand saw undercut all door jambs and back into the skirting boards approximately 50mm in all instances. Remove the cut pieces and check that the underlay and flooring fit nicely under the frame. This will ensure both a neat and clean finish at door frames and provide for sufficient expansion under the frame.

– Roll out the underlay

- If you choose to install a floating floor you must lay the first section of underlay parallel to the length of the planks to be installed. Gradually add the next sections of underlay as you lay the planks. It is vital that you use a recommended underlay to smooth away any unevenness in the floor base. The Pergo underlays also incorporate an excellent damp proof to protect the wood panels from sub-floor moisture.

– Installing the first rows of boards

- Depending on the width of the room, you may choose to 'rip down' the starting boards, so you are not finishing on the opposing wall with thin pieces. If the starting wall is curved, the first row will need to be scribed to accommodate this. Use spacers! Always cut off the tongue on the first plank also on the short side. This plank will then have the plastic tongue in the end to the right.
- Install the board in the corner of the room. Install the second board in the first row by gently pushing the end joint of board two into the end of board one. Now, install the first board in the second row and then the second board of the second row. This method of board installation will make installation faster and easier. We recommend the overlap/staggering between end joints to be about 1/3 of the plank length but more importantly, that it creates a random staggered effect to maximise the appearance of the finished floor. Once the first 3 rows are installed, the gap can be adjusted as necessary. The cut-off from the first and second row should normally be perfect as starting planks in the 3rd and 4th rows. Always remember using the spacers to keep the correct distance to the walls.
- Installation using the fold down method is described as lifting the connecting plank up in an angle of about 20-30 degrees, push it into the long side groove and slide it gently towards the left until the plank ends meet. Push the plank firmly downwards to the floor and the Perfect Fold system will lock the joint in the end. Always check every joint before continuing (you may gently tap down with the tapping block and hammer if needed).
- Continue the installation until all boards are installed. Ensure that your expansion gap of 12mm (minimum) is maintained at all times.
- Inspect the final surface of the installed floor, remove all spacers and install the Pergo scotia, or skirting boards, making sure to anchor these only to the vertical surfaces and not to the flooring itself. Finishing profiles can now also be installed.
- Like traditional wood flooring, your Pergo Wood Parquet floor should be re-coated with an approved coating when it begins to show signs of wear. Contact your Pergo retailer for more information when necessary.

10 Special Notes

12mm is the minimum perimeter expansion gap for all applications. Larger floors or floors that will be exposed to higher levels of relative humidity (RH) will need larger expansion gaps. Some multi-room or very large installations will need expansion joints installed throughout the floor. In most cases, multi-room installations will need to be separated at doorways using connector trims, a range of which are available from your local Pergo Retailer. A Pergo Wood Parquet floor will move very little when maintained at a RH of between 40 and 60%. However, in dryer areas the floor will contract, while in more humid areas the floor will expand. To ensure enough clearance for this natural movement and to avoid open joints, squeaking, etc. always keep a minimum gap of 12mm from the walls, thresholds, staircases and other vertical surfaces. Use the spacers of the installation kit to keep the correct perimeter expansion gap. This perimeter gap can be 12mm in areas of low humidity like the South Island of NZ, or inland Australia, but may need to be as much as 15mm in areas of high humidity like in Bay of Plenty Coastal regions. Remember that the bigger the floor, the larger the gap that is generally required, and that the floor will move more in the width than in the length. A floating installation is never fastened with nails, glue, screws or in any other way.

Pergo wood flooring can be direct stuck to a prepared subfloor. Use only recommended adhesives and ancillary products when direct sticking Pergo Wood Parquet flooring. Please ensure you contact your place of purchase for special instructions prior to direct stick installation.

When installing Pergo on stairs, glue both tread and riser using a recommended polyurethane or construction adhesive. No underlay should be used on tread or riser. Special stair nosing trims are also available for this application.

It is the installer's responsibility to check each board for faults or defects, in appropriate finished lighting conditions, prior to installation. Labour costs or any other costs associated with the replacement of boards after they have been installed will not be accepted by Floorscape Ltd. (NZ) or its agents.

Site inspection is the home owner's responsibility to provide a moderate indoor environment to prevent cracking and distortion of the flooring, even when unoccupied.

It is important that your new Pergo Wood Parquet floor looks it's best for years to come. To do this, please ensure you read a copy of the Pergo Wood Parquet Flooring Care & Maintenance Guidelines, available from your place of purchase or from Floorscape Ltd, details of who are below.

Floorscape Ltd.
221A Bush Rd
Albany, Auckland 0632
Phone: (09) 476 0428
e-mail: sales@floorscape.co.nz
website: www.floorscape.co.nz